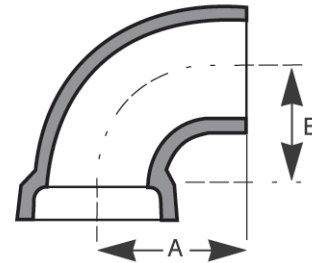


Pipe Fittings – Elbows

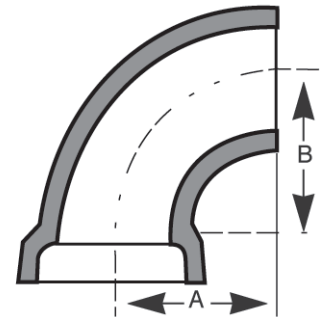
Short Radius Elbows 90°

Pipe Size	Approximate Dimensions		Approx. Shipping Weight (Lbs.)	Fittings per Pack
	A	B		
4"	6 ³ / ₄ "	7"	11	100
6"	8 ¹ / ₂ "	10"	30	40



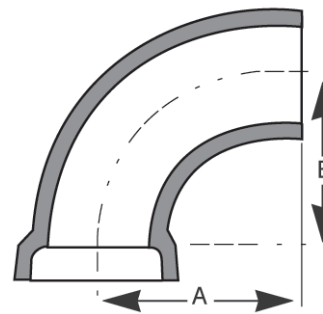
Medium Radius Elbows 90°

Pipe Size	Approximate Dimensions		Approx. Shipping Weight (Lbs.)	Fittings per Pack
	A	B		
4"	12 ¹ / ₂ "	12 ¹ / ₄ "	14	60
6"	13 ¹ / ₄ "	13"	40	30



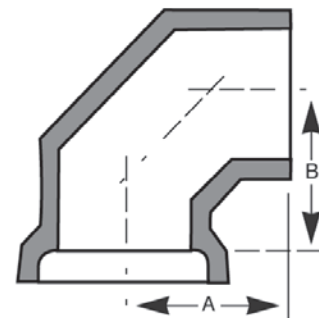
Long Radius Elbows 90°

Pipe Size	Approximate Dimensions		Approx. Shipping Weight (Lbs.)	Fittings per Pack
	A	B		
4"	16 ¹ / ₂ "	14 ³ / ₄ "	21	50
6"	15"	13"	45	23



Cut Elbows 90°

Pipe Size	Approximate Dimensions		Approx. Shipping Weight (Lbs.)	Fittings per Pack
	A	B		
8"	9"	10 ¹ / ₂ "	56	20
10"	13"	12"	95	18
12"	14 ¹ / ₄ "	13 ³ / ₄ "	132	8
15"	16 ¹ / ₄ "	15 ¹ / ₂ "	237	Each
18"	17"	17 ¹ / ₄ "	425	Each



Logan Clay Products LLC

loganclay.com • loganclaypipe.com • loganclaymasonry.com • no-digpipe.com
info@loganclay.com • 800-848-2141 • 740-385-2184 • Fax: 740-385-9336