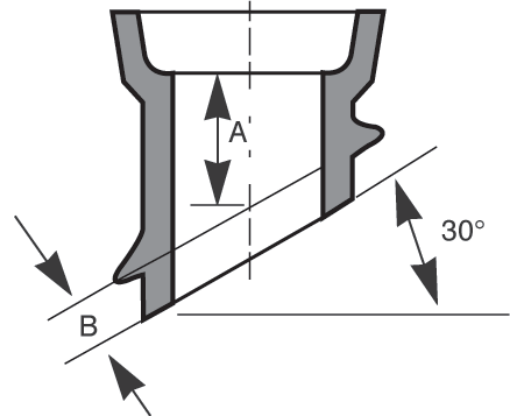


Pipe Fittings – Saddles

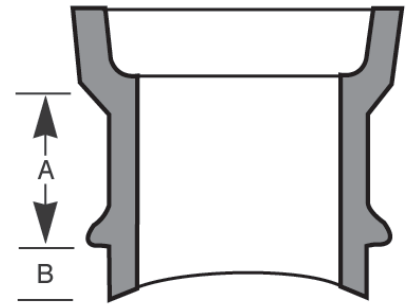
Wye-Saddle (With Flange)

Pipe Size	Approximate Dimensions		Approx. Shipping Weight (Lbs.)	Fittings per Pack
	A	B		
4"	5 1/4"	1 1/2"	12	100
6"	6"	1 1/2"	30	40
8"	5 1/2"	1 1/2"	50	20
10"	10"	2"	67	16
12"	10"	2"	95	12



Tee-Saddle (With Flange)

Pipe Size	Approximate Dimensions		Approx. Shipping Weight (Lbs.)	Fittings per Pack
	A	B		
4"	4 1/2"	1 1/2"	10	100
6"	6"	1 1/2"	23	80
8"	8"	1 1/2"	40	60
10"	6"	2"	75	24
12"	6"	1"	82	15



Wye-Saddle



Tee-Saddle