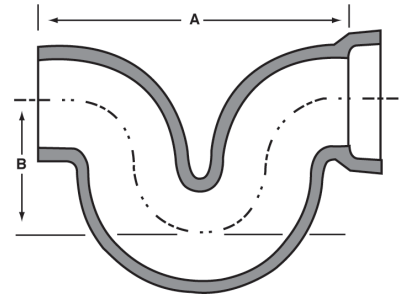


# Pipe Fittings – Traps

To prevent sewer gas from passing into the house, Logan traps are formed with a deep bend below the flow line in which gasses are trapped in a liquid seal.

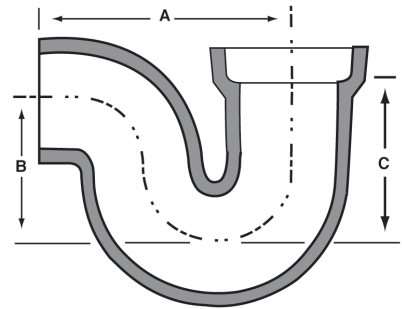
## Running Traps

Pipe Size	Approximate Dimensions		Approx. Shipping Weight (Lbs.)	Fittings per Pack
	A	B		
4"	19"	8"	23	30
6"	21 <sup>3</sup> / <sub>4</sub> "	9"	63	12



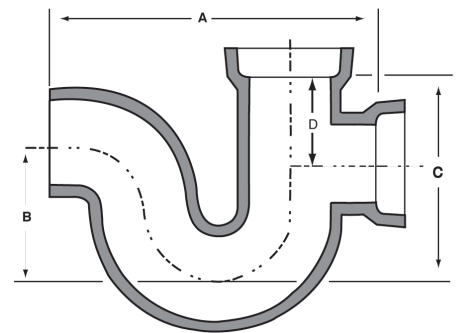
## P-Traps

Pipe Size	Approximate Dimensions			Approx. Shipping Weight (Lbs.)	Fittings per Pack
	A	B	C		
4"	15"	7 <sup>1</sup> / <sub>4</sub> "	8"	19	60
6"	17"	9"	10"	47	20



## Shoulder Hand Hole Traps (SHH)

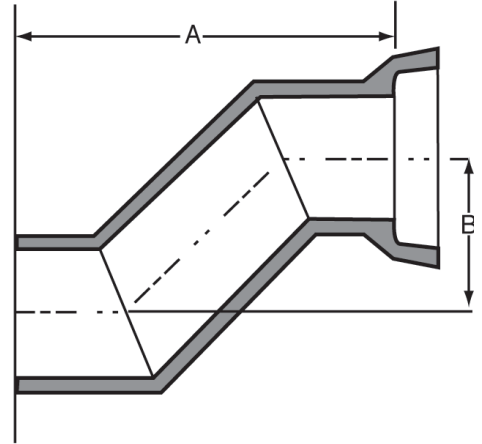
Pipe Size	Approximate Dimensions				Approx. Shipping Weight (Lbs.)	Fittings per Pack
	A	B	C	D		
4"	18"	7"	11 <sup>1</sup> / <sub>4</sub> "	4"	24	50
6"	23 <sup>3</sup> / <sub>4</sub> "	11"	15 <sup>1</sup> / <sub>4</sub> "	6 <sup>1</sup> / <sub>4</sub> "	69	12



# Pipe Fittings – Traps (cont'd)

## Half Traps

Pipe Size	Approx. Laying Length A	Approx. Dimension B	Approx. Shipping Weight (Lbs.)	Fittings per Pack
6"	21"	8 <sup>1</sup> / <sub>4</sub> "	44	28
8"	24"	10 <sup>1</sup> / <sub>4</sub> "	66	16
10"	25"	11 <sup>1</sup> / <sub>4</sub> "	112	9
12"	27"	11 <sup>1</sup> / <sub>2</sub> "	164	6



## Catch Basin Traps

Pipe Size	Inlet	Approximate Dimensions					Approx. Shipping Weight (Lbs.)	Fittings per Pack
		A	B	C	D	E		
6"	4"	24"	12"	8"	15"	9"	52	20

